

- 1
- 2
- 3
- 4
- 5
- 6
- 7
- 8
- 9
- 10
- 11
- 12
- 13
- 14
- 15
- 16
- 17
- 18
- 19

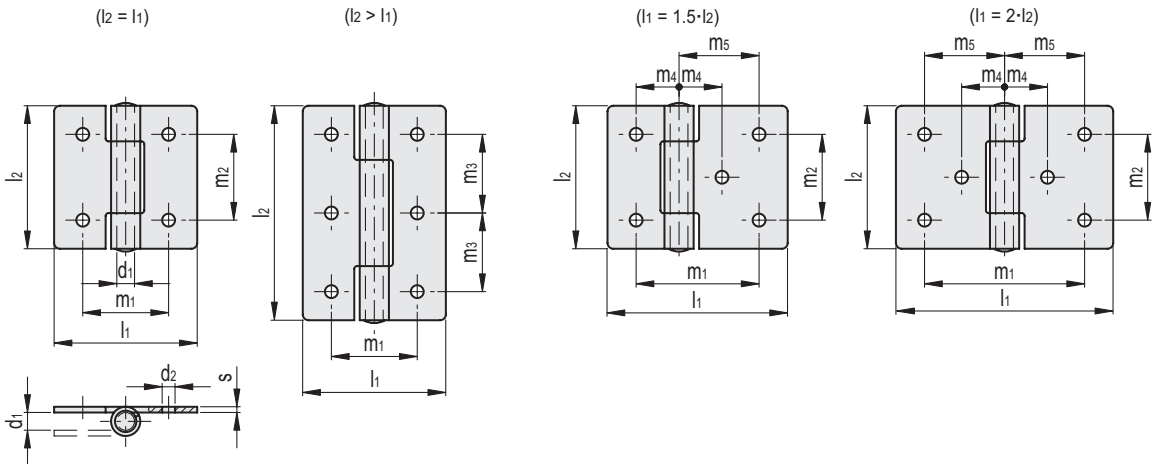
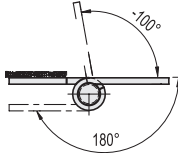
STANDARD EXECUTIONS

Stainless steel AISI 316:

- **GN 136-A4-B:** holes for cylindrical-head screws.
- **GN 136-A4-C:** holes for countersunk head screws.

ROTATION ANGLE (APPROXIMATE VALUE)

Max 280° (-100° and +180° being 0° the condition where the two inter-connected surfaces are on the same plane).

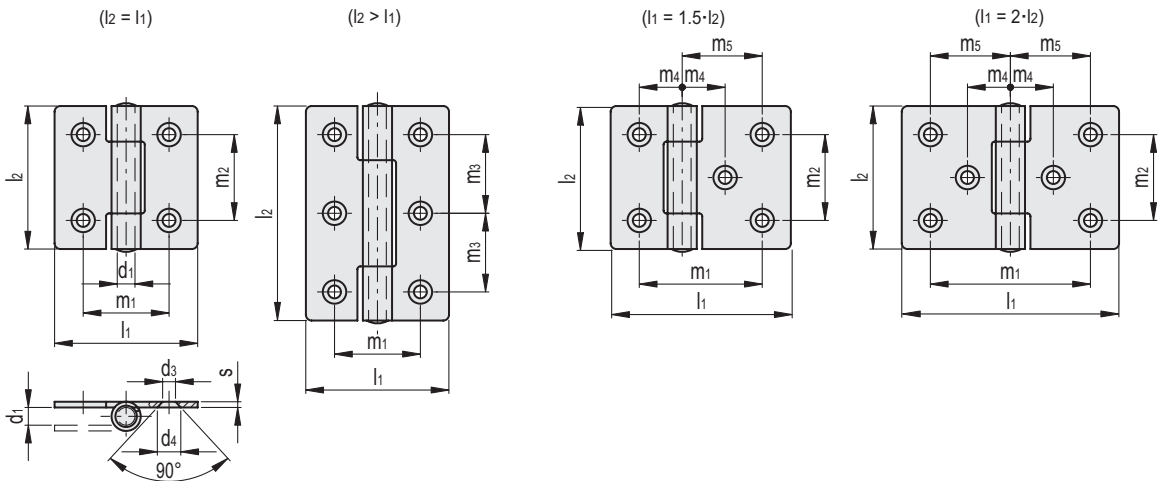


GN 136-A4-B

INOX STAINLESS STEEL

Code	Description	l1	l2	d1	d2	m1	m2	m3	m4	m5	s	△
GN.20751	GN 136-A4-30-30-B	30	30	3	3.2	18	18	-	-	-	1.5	14
GN.20753	GN 136-A4-30-45-B	30	45	3	3.2	18	-	16.5	-	-	1.5	21
GN.20755	GN 136-A4-40-40-B	40	40	4	4.2	25	25	-	-	-	2	34
GN.20757	GN 136-A4-40-60-B	40	60	4	4.2	25	-	22.5	-	-	2	51
GN.20759	GN 136-A4-45-30-B	45	30	3	3.2	33	18	-	9	24	1.5	19
GN.20761	GN 136-A4-50-50-B	50	50	6	5.2	30	30	-	-	-	2	62
GN.20763	GN 136-A4-50-75-B	50	75	6	5.2	30	-	27.5	-	-	2	90
GN.20765	GN 136-A4-60-30-B	60	30	3	3.2	48	18	-	9	24	1.5	24
GN.20767	GN 136-A4-60-40-B	60	40	4	4.2	45	25	-	12.5	32.5	2	45
GN.20769	GN 136-A4-60-60-B	60	60	6	5.2	36	36	-	-	-	2	84
GN.20771	GN 136-A4-60-90-B	60	90	6	5.2	36	-	33	-	-	2	125
GN.20773	GN 136-A4-75-50-B	75	50	6	5.2	55	30	-	15	32.5	2	79
GN.20775	GN 136-A4-80-40-B	80	40	4	4.2	65	25	-	12.5	40	2	58
GN.20777	GN 136-A4-90-60-B	90	60	6	5.2	66	36	-	18	40	2	108
GN.20779	GN 136-A4-100-50-B	100	50	6	5.2	80	30	-	15	48	2	98
GN.20781	GN 136-A4-120-60-B	120	60	6	5.2	96	36	-	18	48	2	136

Hinges and accessories



GN 136-A4-C

INOX STAINLESS STEEL

Code	Description	l1	l2	d1	d3	d4	m1	m2	m3	m4	m5	s	△
GN.20752	GN 136-A4-30-30-C	30	30	3	4	6.4	18	18	-	-	-	1.5	14
GN.20754	GN 136-A4-30-45-C	30	45	3	4	6.4	18	-	16.5	-	-	1.5	21
GN.20756	GN 136-A4-40-40-C	40	40	4	5	8.3	25	25	-	-	-	2	34
GN.20758	GN 136-A4-40-60-C	40	60	4	5	8.3	25	-	22.5	-	-	2	51
GN.20760	GN 136-A4-45-30-C	45	30	3	4	6.4	33	18	-	9	24	1.5	19
GN.20762	GN 136-A4-50-50-C	50	50	6	5	8.3	30	30	-	-	-	2	62
GN.20764	GN 136-A4-50-75-C	50	75	6	5	8.3	30	-	27.5	-	-	2	90
GN.20766	GN 136-A4-60-30-C	60	30	3	4	6.4	48	18	-	9	24	1.5	24
GN.20768	GN 136-A4-60-40-C	60	40	4	5	8.3	45	25	-	12.5	32.5	2	45
GN.20770	GN 136-A4-60-60-C	60	60	6	5	8.3	36	36	-	-	-	2	84
GN.20772	GN 136-A4-60-90-C	60	90	6	5	8.3	36	-	33	-	-	2	125
GN.20774	GN 136-A4-75-50-C	75	50	6	5	8.3	55	30	-	15	32.5	2	79
GN.20776	GN 136-A4-80-40-C	80	40	4	5	8.3	65	25	-	12.5	40	2	58
GN.20778	GN 136-A4-90-60-C	90	60	6	5	8.3	66	36	-	18	40	2	108
GN.20780	GN 136-A4-100-50-C	100	50	6	5	8.3	80	30	-	15	48	2	98
GN.20782	GN 136-A4-120-60-C	120	60	6	5	8.3	96	36	-	18	48	2	136



Hinges and accessories